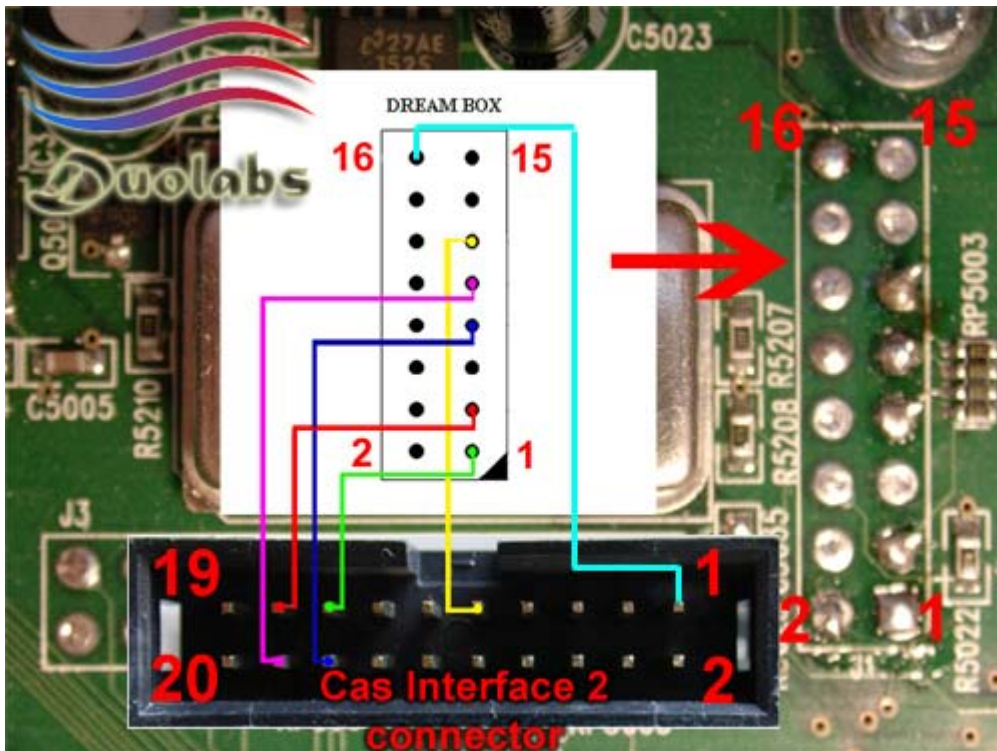




Here comes the Dream Box Jtag connection for Cas Interface 2.

Important: DO NOT CONNECT WIRES LONGER THAN 10 CM!!



How to Program the corrupted bootloader:

1. Connect the Dreambox following the above schematic. Wires must not be longer than 10 cm!!
2. Launch the latest software version and choose DreamBox Icon.
3. When the software it's ready to use press Connect button and then choose the repairing file from your folder (a good repairing bootloader it's in the folder folder fw/dreambox/DreamBox_Boot.bin).
4. The programming may take about 15 minutes , you will see a countdown during programming.
5. If the programming becomes slow it's might be due to the cable's length that must not be more than 10 cm. Try to cut it.

Important: This tool will repair only corrupted bootloader.