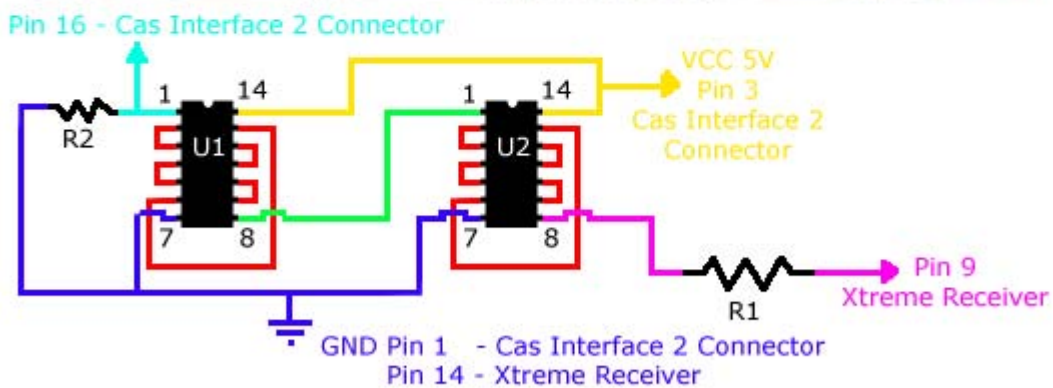
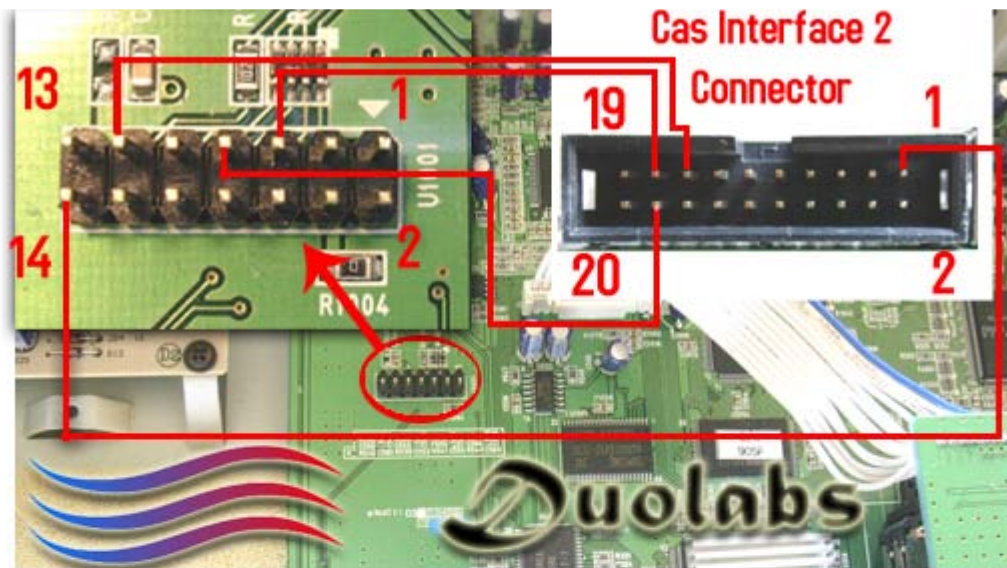


Cas Interface 2 – Xtreme receiver connection
www.duolabs.com – all rights reserved

Here comes the Xtreme connection for Cas Interface 2.

You have to build the Slow Down board because the Cas 2 signals might be too fast for your Xtreme receiver. In this case and only in this case the Slow Down board must be done.



Slow Down Circuit for Xtreme receivers Only!!

U1,U2 = 74HC04
R1 = 100 Ohm
R2 = 10K Ohm